

# HORIZONTAL, RADIALY SPLIT, MULTI-STAGE, IN-LINE, BETWEEN BEARINGS PUMP

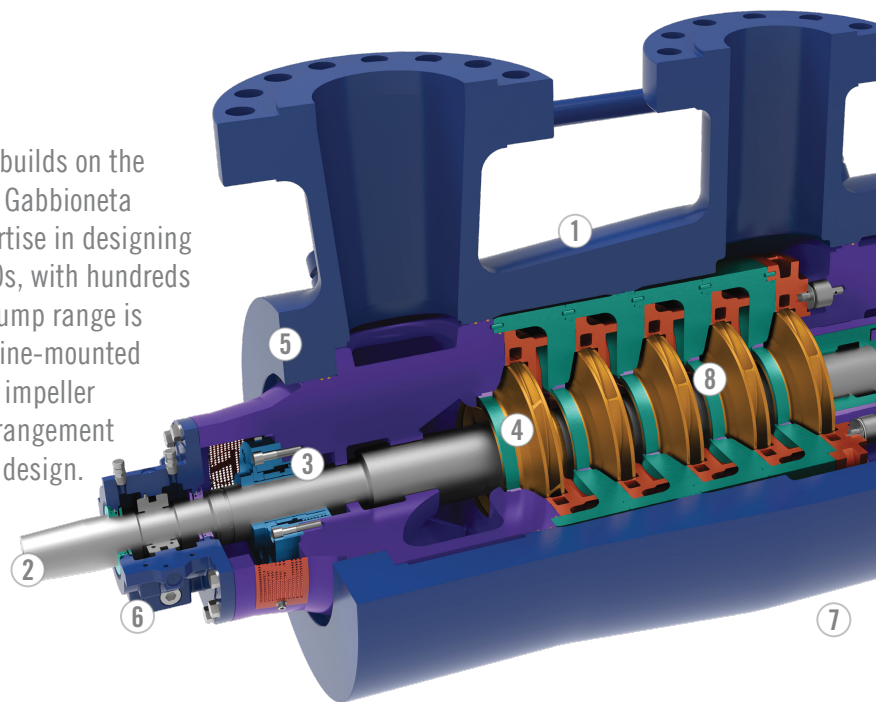
API-610

TYPE: BB5

TRILLIUM PUMP MODEL: MESB

## OVERVIEW

Trillium Flow Technologies updated MESB pump range builds on the engineering excellence, innovation, and heritage of our Gabbioneta Pumps® and Termomeccanica Pompe brands. Our expertise in designing and manufacturing BB5 pumps dates back to the 1970s, with hundreds of units installed worldwide. This API-compliant BB5 pump range is a radially split, multi-stage, between-bearings, centerline-mounted pump with either a single or double suction first-stage impeller for reduced NPSHr. The MESB has an inline impeller arrangement to minimize bearing span and provide a more compact design. The pump range is available with bolted or shear ring end cover arrangements.



## KEY FEATURES

API 610 compliant

① Integral case connections to avoid non-destructive testing

② Heavy-duty shaft to minimize rotor deflection and maximize uptime

③ API 682 compliant seal chamber

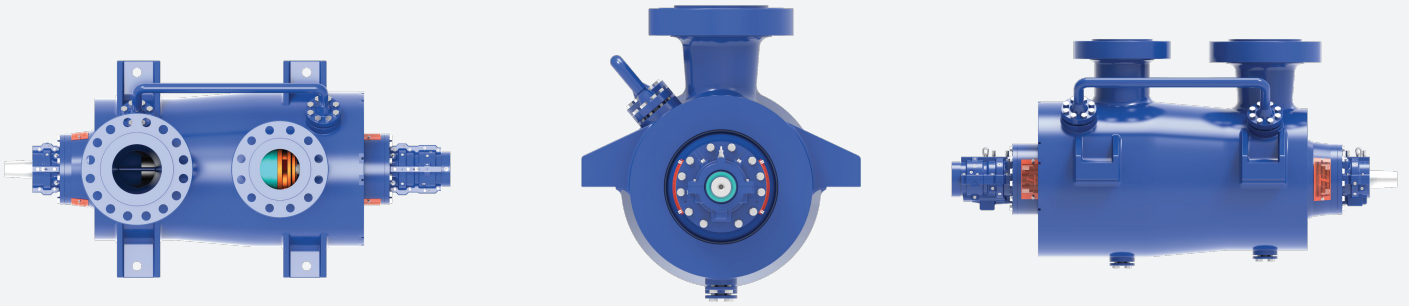
④ Single or Double suction impeller

⑤ Bolted or shear ring end cover arrangements

⑥ Bearings housing leverages common parts across all Trillium Flow Technologies between bearing pumps

⑦ Balance line to ensure both seals remain at equal pressure

⑧ Inline impeller arrangement



## OPTIONS

All API material options: S-4, S-5, S-6, S-8, C-6, A-8, D-1, D-2, and bespoke options

Bolted or shear ring end cover arrangements

Composite wear parts, for improved efficiency and rotor dynamics

Specialist Options: High speed over 6000 RPM

## MAIN APPLICATIONS

Water Injection

Crude Oil Transmission

Boiler Feed Water

## OPERATING RANGE

Capacity: up to 3,000 m<sup>3</sup>/hr, 13,100 USGPM

Head: up to 7,000 m, 23,000 ft

Temperature: up to 427°C, 800°F

Speed of rotation: Up to 6,500 RPM

